

SINGER

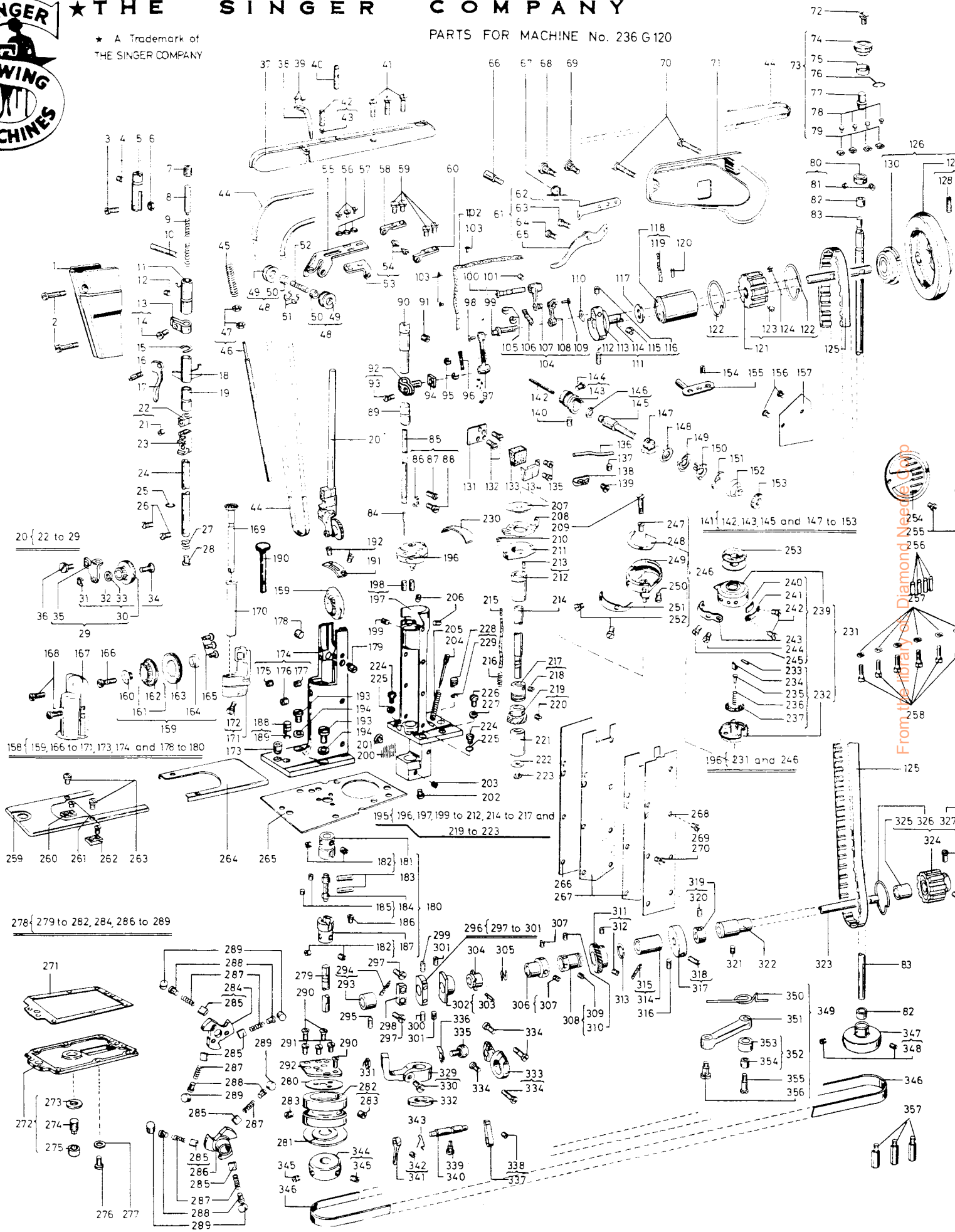
236G120,122,124,125,130,131,132



★ THE SINGER COMPANY

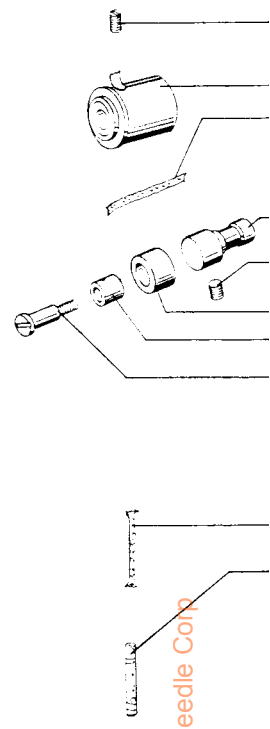
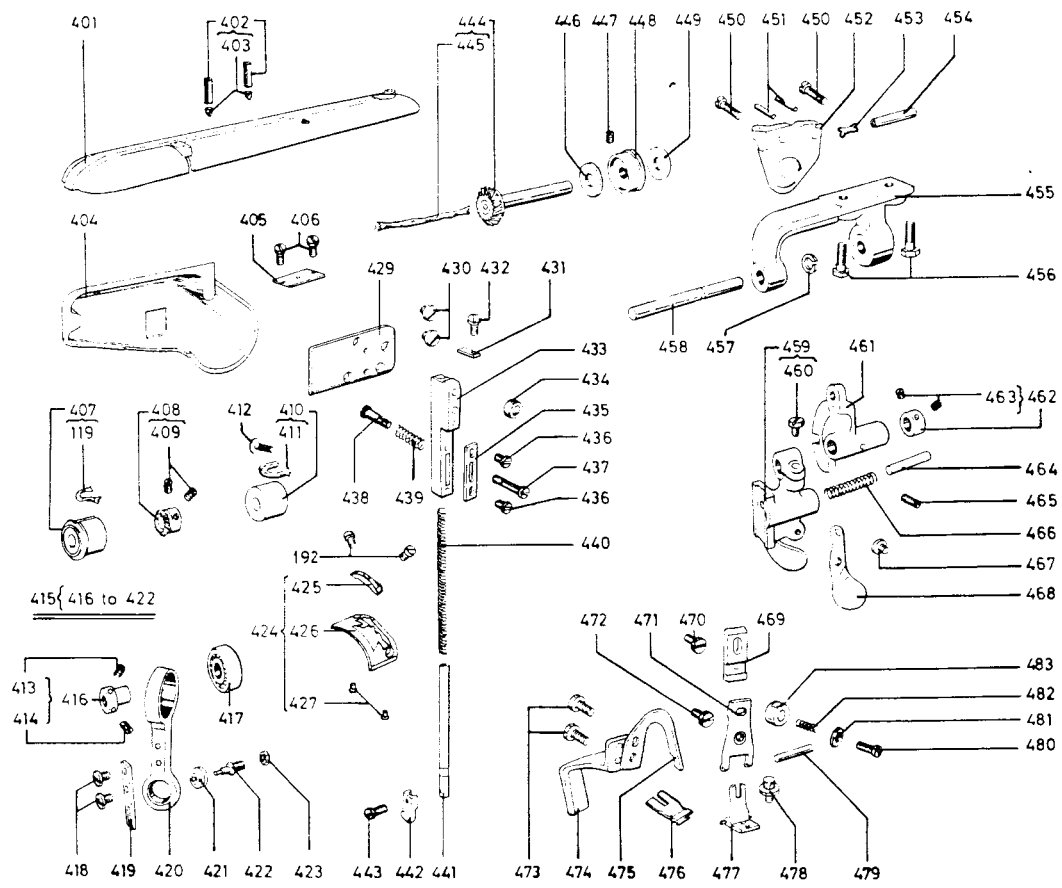
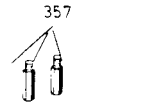
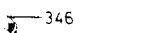
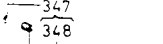
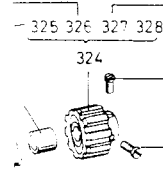
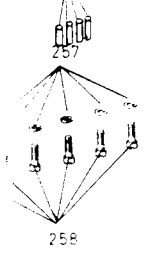
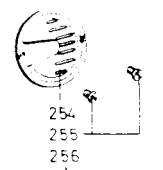
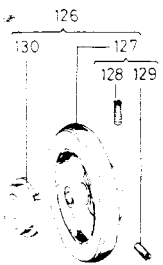
★ A Trademark of THE SINGER COMPANY

PARTS FOR MACHINE No. 236 G-120



PARTS FOR MACHINE No. 236 G124

Same as Machine No. 236 G120 with the following exceptions.



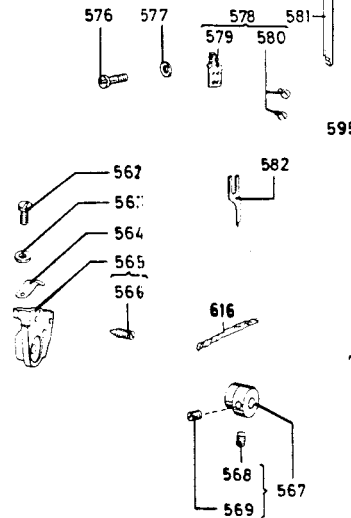
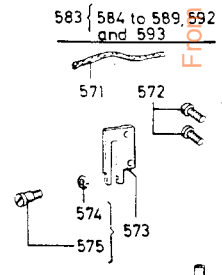
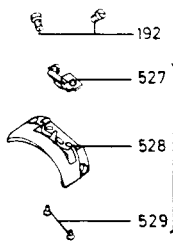
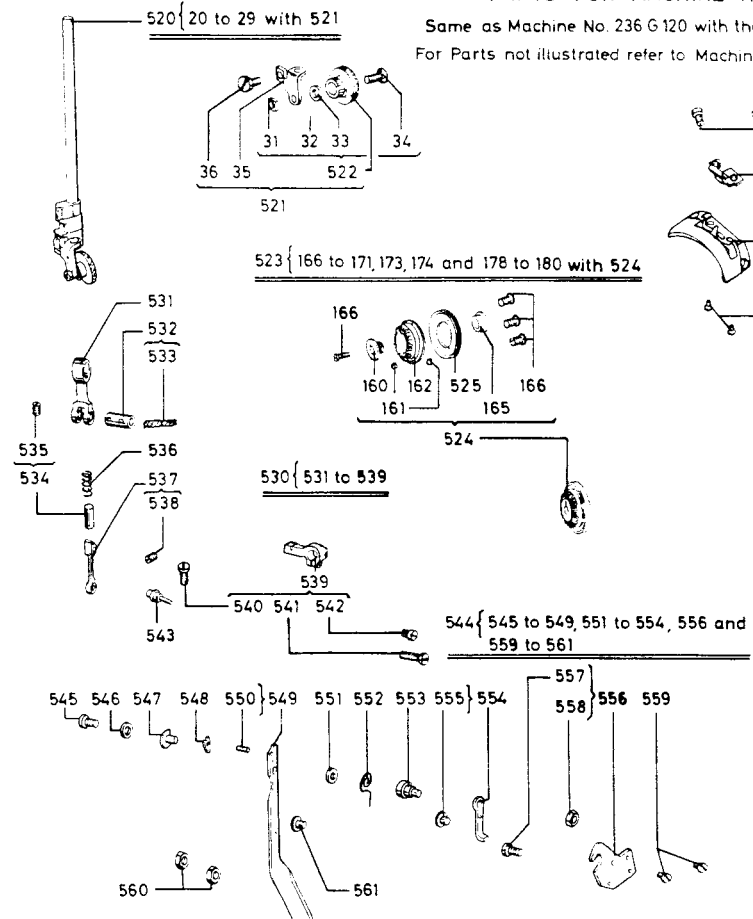
NOTE: For illustration of Motor

PARTS FOR

Same as Machine No. 236 G120 with the following exceptions.
For Parts not illustrated refer to Machine No. 236 G124 and G132

PARTS FOR MACHINE No. 236 G130

Same as Machine No. 236 G120 with the following exceptions:
For Parts not illustrated refer to Machine No. 236 G124 and G132

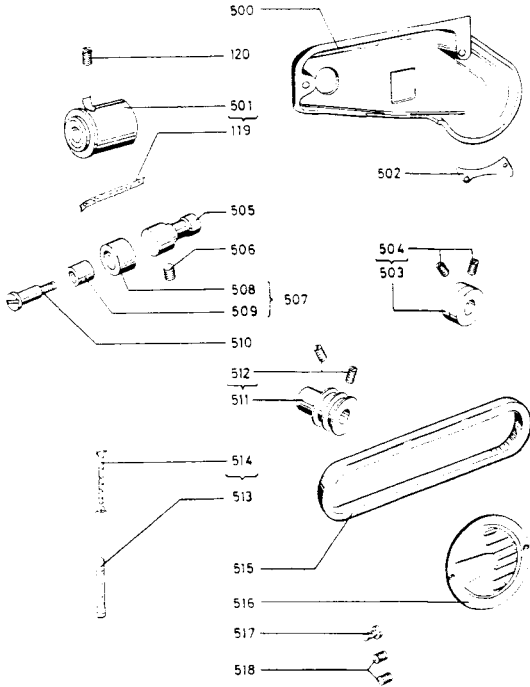


From the library of: Diamond Needle Corp

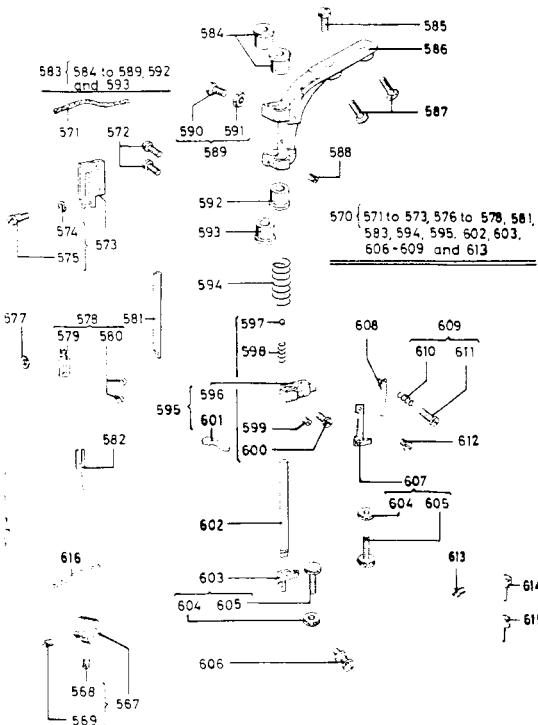
NOTE: For illustration of Motor

PARTS FOR MACHINE No. 236 G 132

Same as Machine No. 236 G 120 with the following exceptions:
For Parts not illustrated refer to Machine No. 236 G 124



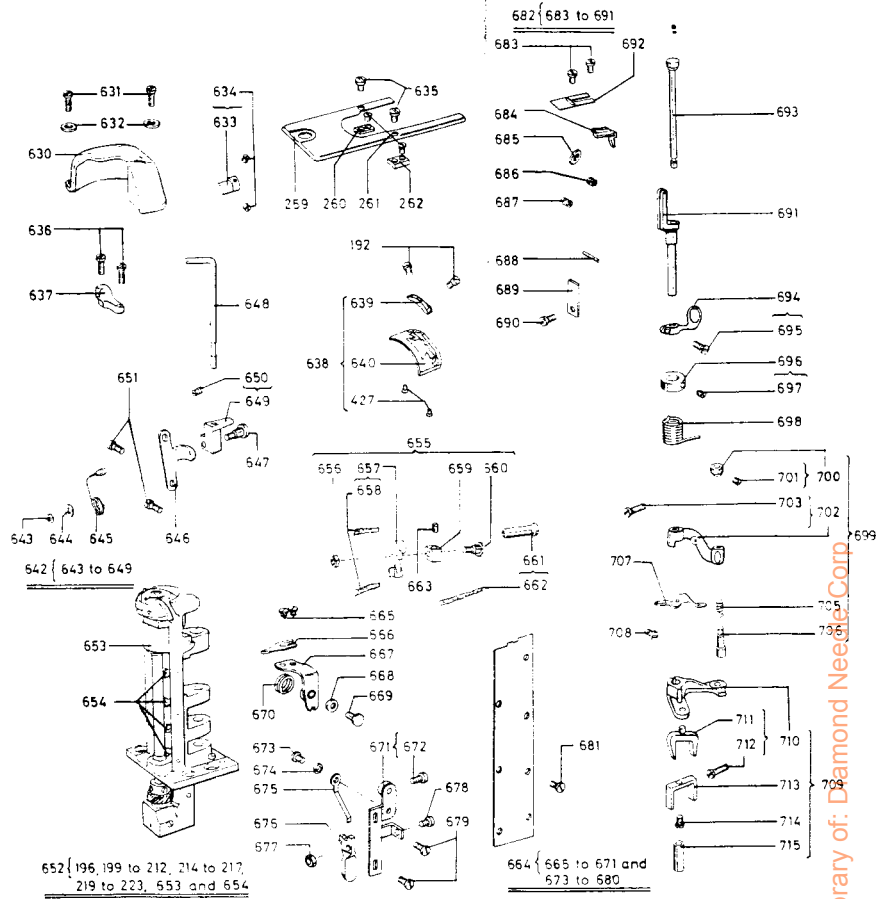
NOTE For illustration of Motor and Motor Control Box, see reverse page



For illustration of Motor and Motor Control Box, see reverse page

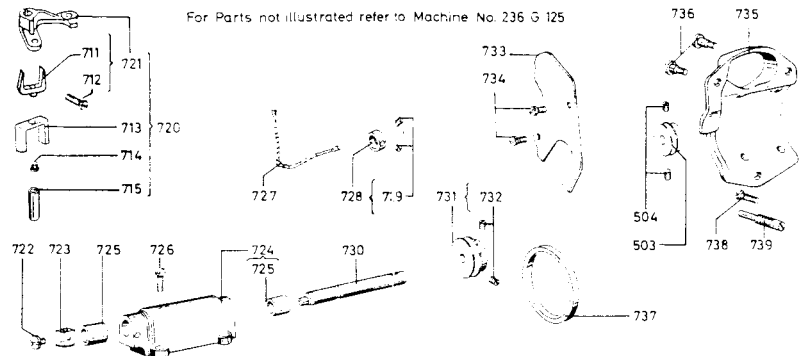
PARTS FOR MACHINE No. 236 G 125

Same as Machine No. 236 G 120 with the following exceptions.



PARTS FOR MACHINE No. 236 G 131

For Parts not illustrated refer to Machine No. 236 G 125



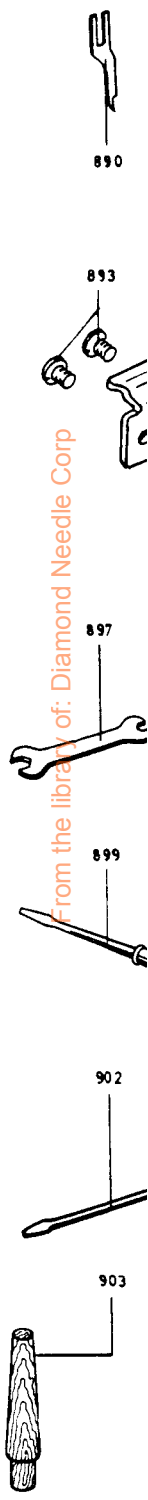
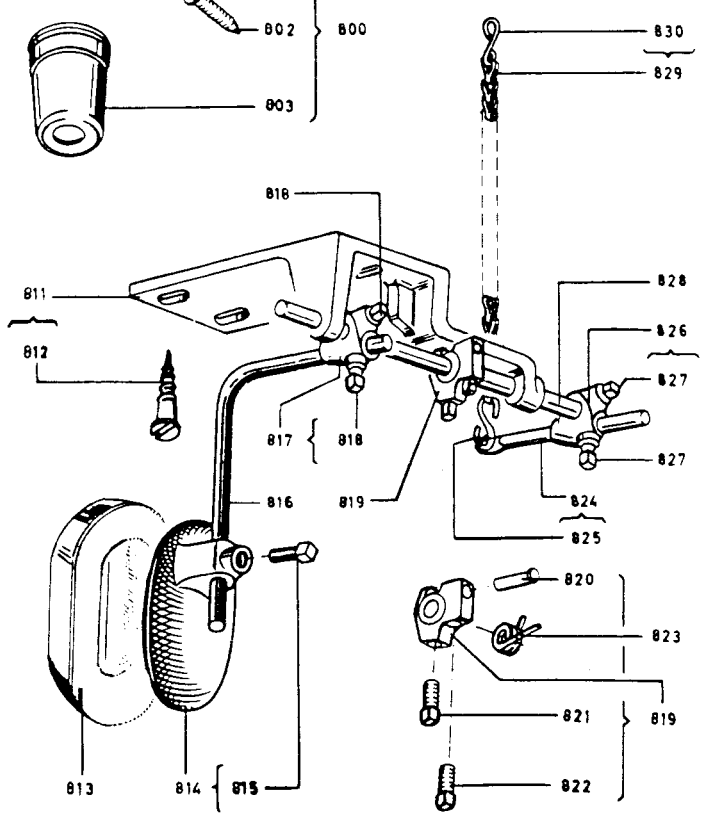
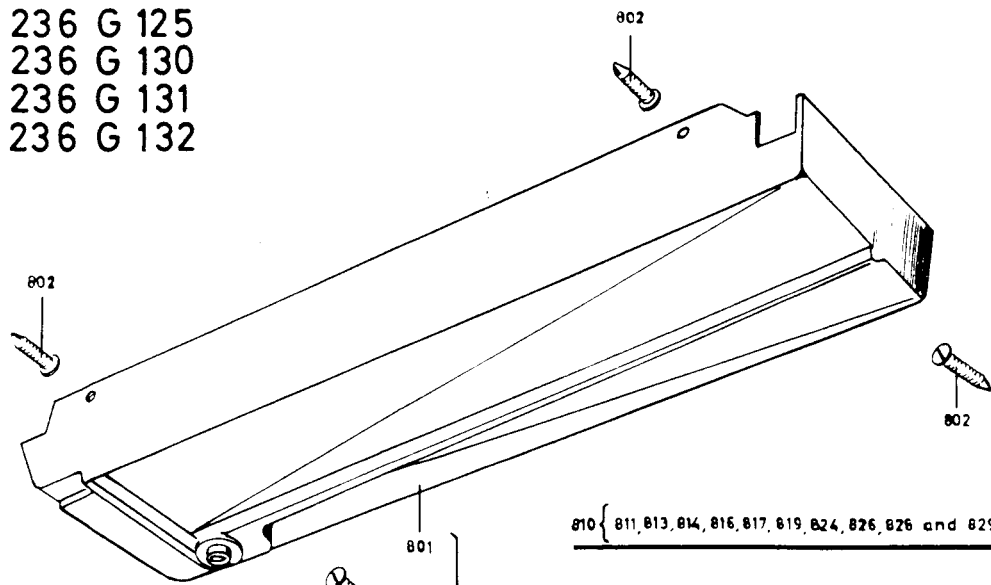
NOTE: For illustration of Motor and Motor Control Box, see reverse page

SINGER 236 G 120, 236 G 124, 236 G 125,
236 G 130, 236 G 131, 236 G 132

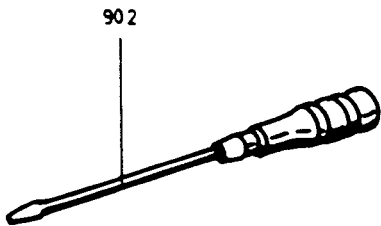
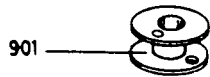
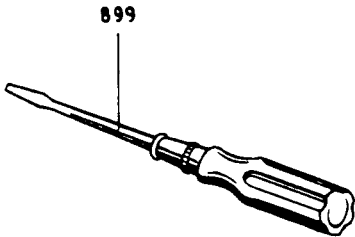
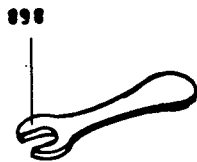
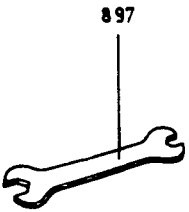
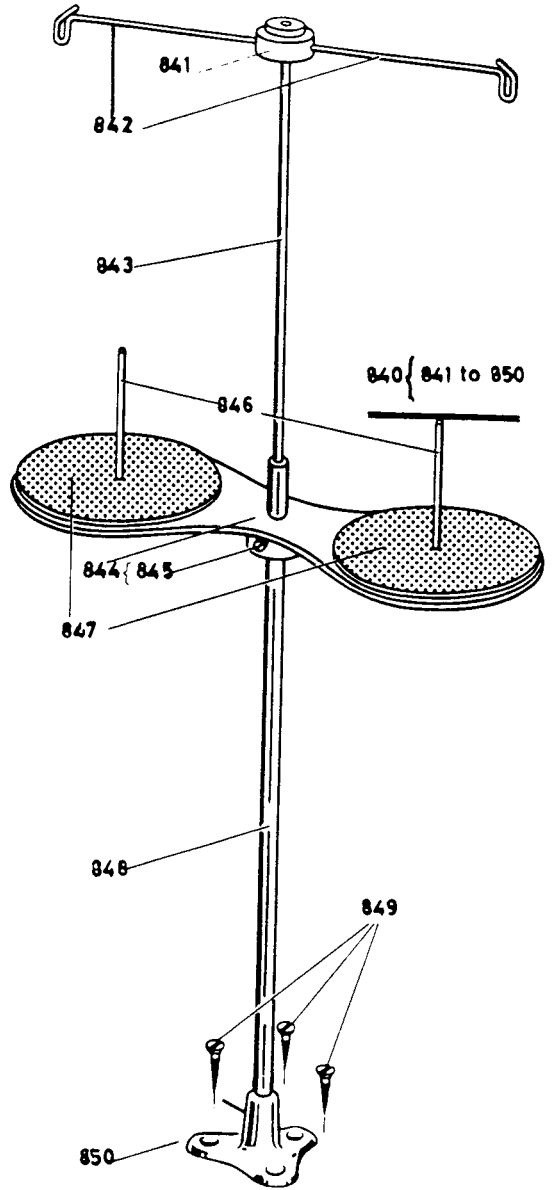
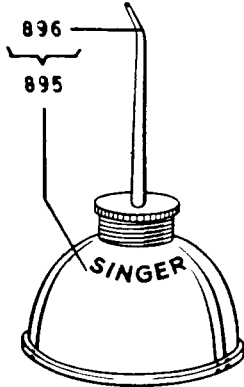
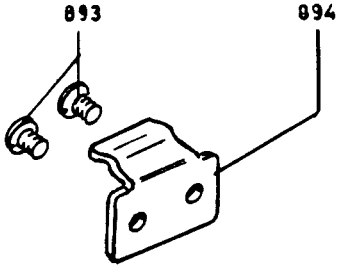
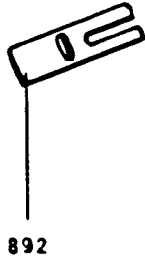
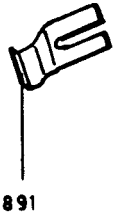
ACCESSORIES

FOR

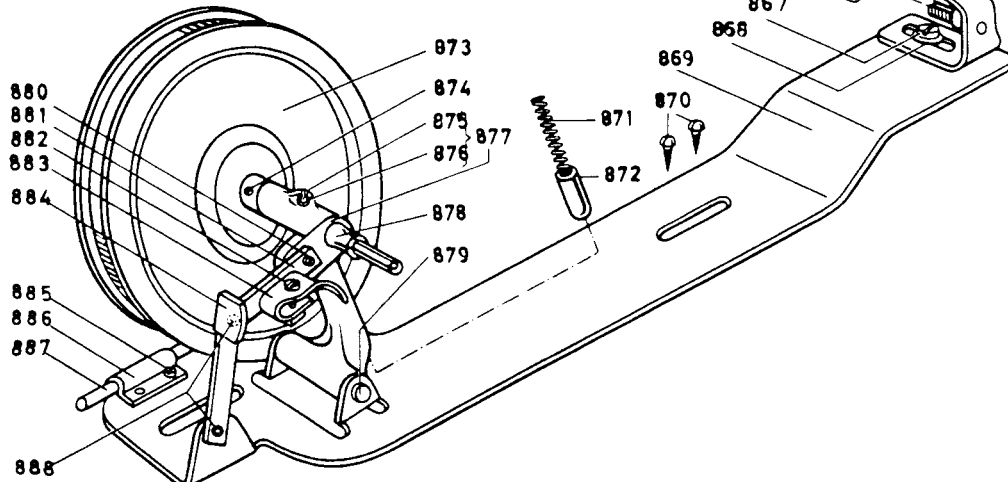
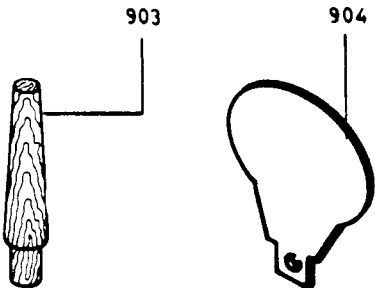
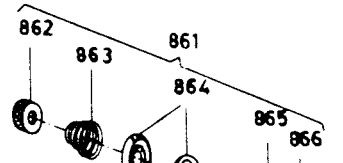
- 236 G 120
- 236 G 124
- 236 G 125
- 236 G 130
- 236 G 131
- 236 G 132

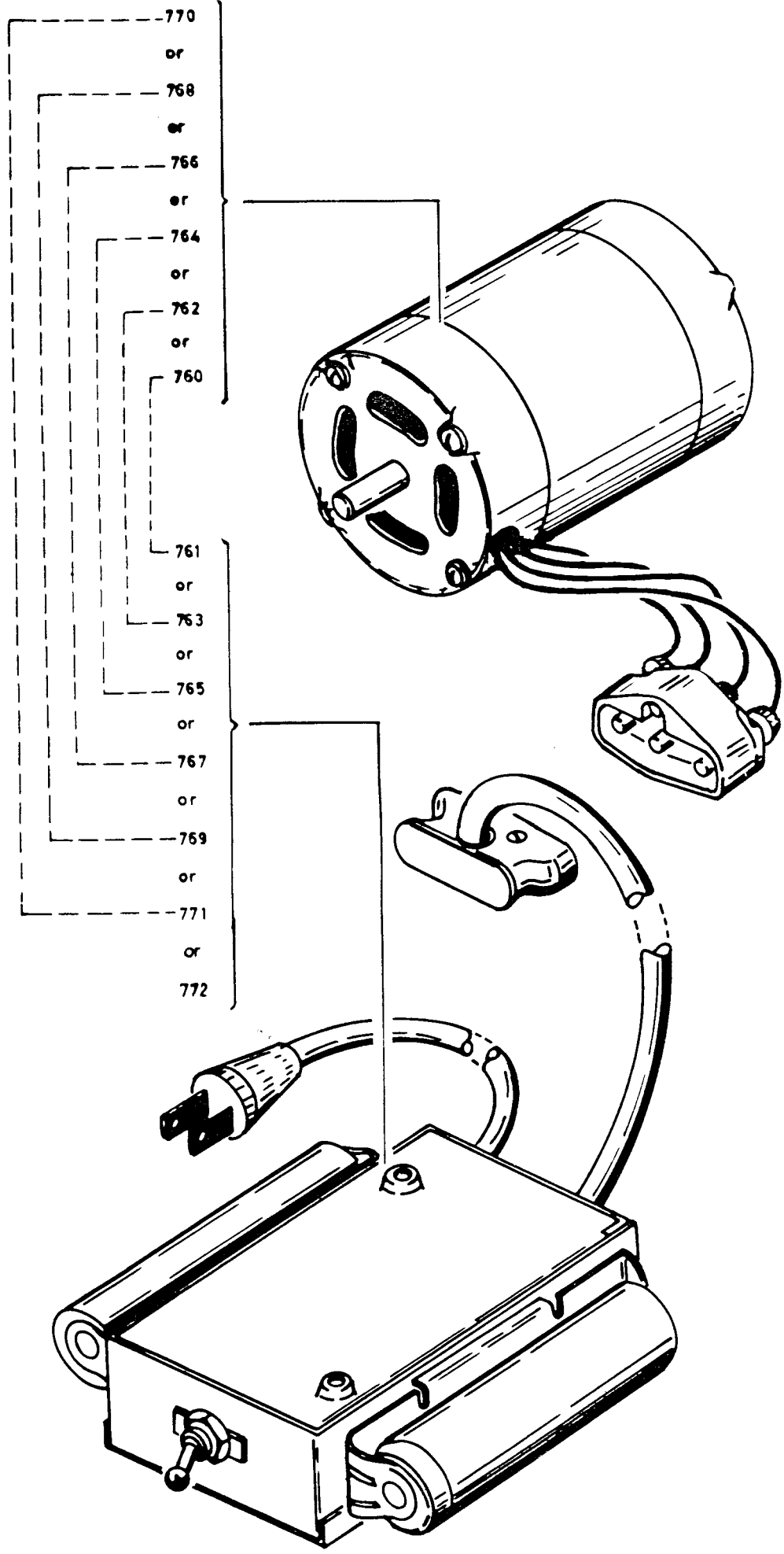


From the library of: Diamond Needle Corp



860 { 861 to 889





36G130, 236G131 and 236G132 to SINGER Form 30-306G (1265)

Name	Components	Illustr. Ref. No.	Part No.	For Class			Name
				124	130	132	
ing Lever Guard Screw Washer (2)		712	200048-803	x	x		Knife Driving Fork Lever (lower) Pinch Scr
ing Eccentric Cpl.	Two 200394	713	24173	x	x		Knife Driving Lever Fork Swivel
ing Eccentric Set Screw (2)		714	104-804	x	x		Knife Driving Lever Fork Swivel Screw
Base Cover Screw (2)		715	241738	x	x		Knife Driving Fork Lever (lower) Shaft
ing Lever (upper) Stop Bracket Screw (2)							
ing Lever (upper) Stop Bracket Cpl.	Two 141584, 263851, 263852	720	263673		x		Knife Driving Fork Lever (lower) Cpl.
to Needle Plate		721	263672		x		Knife Driving Fork Lever (lower) with
to Body		722	200102-803		x		Knife Driving Lever Fork Slide Block Cap Screw
d Holder Cpl.	200197, 201527, 225837, 263681, 263682, 263683, 263684	723	249289		x		Knife Driving Lever Fork Slide Block
d Holder Hinge Screw Nut		724	263680		x		Knife Driving Shaft Housing with
d Holder Hinge Screw Washer		725	263679		x		Knife Driving Shaft Bearing (2)
d Holder Spring		726	129-805		x		Knife Driving Shaft Housing Screw (4)
d Holder Bracket		727	249298		x		Knife Driving Lever Fork Slide Block Oiling Wick
d Set Screw		728	249292		x		Knife Driving Shaft Collar with
d Holder Cpl.	200403	729	200386-830		x		Knife Driving Shaft Collar Set Screw (2)
d Set Screw		730	263678		x		Knife Driving Shaft (eccentric)
d Holder Bracket Screw (2) Cpl.	202, 212, two 1448, two 141674, 141580, 200121, 203478, 234426, 263421, 263464, 263476, 263478, 263479, 263480, 263481, 263482, 265522, 263568, 263593, 263594, 263826, 263866, 350611, four 263093	731	249295		x		Knife Driving Shaft Pulley (double groove for "V" belt, 1 23/32 and 1 13/16 in. dia belt grooves Cpl.
with		732	200958-803		x		Knife Driving Shaft Pulley Set Screw (2)
ket Arm Oil Packing (wick) (4)		733	263652		x		Arm Base Cover
ing Fork Lever Cpl.	200243, 201531, 249282, 263704	734	200160-805		x		Arm Base Cover Screw (2)
ing Fork Lever Slide Block		735	263689		x		Motor Clamping Bracket
w Nut		736	201083-803		x		Motor Clamping Bracket Screw (short) (2)
ing Fork Lever Cpl.	Two 263708	737	263671		x		Knife Driving Belt
ing Fork Lever Oiling Wick (2)		738	200006-803		x		Motor Clamping Bracket Screw (long)
ing Fork Lever Slide Block		739	350617-803		x		Motor Adjusting Screw
ing Fork Lever Slide Block							
w		760	713604-005				Motor TK 151 (105-125 Volts, 50 Cycles)
ing Fork Lever Cpl.		761	995536-001				Motor Control Box with two wood screws 1/2 in. No. 12 R.H.B. for Motor TK 151
ing Fork Lever Oiling Wick (2)		762	713604-002				Motor TK 157 (210-250 Volts, 50 Cycles)
ing Fork Lever Slide Block		763	995536-002				Motor Control Box with two wood screws 1/2 in. No. 12 R.H.B. for Motor TK 157
ing Fork Lever Hinge Stud Cpl.	263707	764					Motor TK 167 (210-250 Volts, 60 Cycles)
ing Fork Lever Hinge Stud		765	995536-002				Motor Control Box with two wood screws 1/2 in. No. 12 R.H.B. for Motor TK 167
k		766	713604-004				Motor TK 357 (210-250 Volts, 50 Cycles)
ing Fork Lever Hinge Stud		767	995630-001				Motor Control Box with two wood screws 1/2 in. No. 12 R.H.B. for Motor TK 357
Bracket Cpl.	86, 1735, 1443, 7071, 206840, 241732, 263656, 263862, 263863, 263864, 263865, 263861, two 990	768	713604-003				Motor TK 367 (210-250 Volts, 60 Cycles)
Screw (2)		769	995630-001				Motor Control Box with two wood screws 1/2 in. No. 12 R.H.B. for Motor TK 367
Bracket		770	713604-001				Motor TK 161 (105-125 Volts, 60 Cycles)
Bracket Hinge Stud Spring Washer		771	995536-001				Motor Control Box with two wood screws 1/2 in. No. 12 R.H.B. for Motor TK 161
Bracket Hinge Stud		772	995890-001				Motor Control Box with two wood screws 1/2 in. No. 12 R.H.B. for Motor TK 161
Bracket Release Spring							
Bracket Support Cpl.	140105						
Bracket Hinge Stud Set Screw			*263401	x	x	x	Arm
Bracket Release Lever Spring Screw			*263776		x		Arm
Bracket Release Lever Spring Washer			*263600				Arm
Bracket Release Lever Spring (flat)			*263402	x	x	x	Arm Base
Bracket Release Lever			*263651				Arm Base
Bracket Release Lever Hinge Screw Nut			*263413	x	x	x	Bed
Bracket Release Lever Hinge Screw	463, two 200169, 263665, 263666, 263669, 263670, 263840, 350238, 350355		*263701				Bed
ook Post Cover (back or front) Screw (4)			*508336-048	x			Variety Plate
ket Arm Cpl.			*508336-049		x		Variety Plate
w (2)			*508336-050				Variety Plate
cket			*508336-051				Variety Plate
cket Adjusting Screw Lock Screw (nylon)			*508336-052				Variety Plate
cket Adjusting Screw			*508336-053				Variety Plate
cket Adjusting Screw Lock Screw			228485	x	x	x	Variety Plate Drive Screw (2)
cket Hinge Pin							
cket Spring							
cket Spring Screw							
cket Arm							

For Information

Parts marked with an asterisk (*) are furnished only when repairs are made at the factory.

Accessories

Illustr. Ref. No.	Part No.	For Class			Name
		124	130	132	
800	228884	x	x	x	Drip Pan (plastic) Cpl.
801	228882	x	x	x	Drip Pan
802	---	x	x	x	Wood Screw 1/2 in. No. 4 R.H.B. (4)
803	228883	x	x	x	Drip Pan Drain Jar
810	228884	x	x	x	Knee Lifter Rock Shaft Cpl.
811	228843	x	x	x	Rock Shaft Bracket with
812	---	x	x	x	Wood Screw 1 in. No. 10 F.H.B. (3)
813	150668	x	x	x	Rock Sh ft Knee Plate Pad (rubbr)
814	228364	x	x	x	Rock Shaft Knee Plate with
815	350231-803	x	x	x	Rock Shaft Knee Plate Set Screw

From the library of: Diamond Needle Corp

Components	Illustr. Ref. No.	Part No.	For Class			Name	Components
			124	130	132		
			120	125	131		
						<u>Knee Lifter</u>	
	816	228388	x	x	x	Rock Shaft Knee Plate Arm	
	817	228685	x	x	x	Rock Shaft Knee Plate Arm Bracket with	two 356
	818	356-803	x	x	x	Rock Shaft Knee Plate Arm Bracket Set Screw (2)	
	819	228844	x	x	x	Rock Shaft Stop Bracket with	350, 356, 228367
	820	228367	x	x	x	Rock Shaft Stop Stud	
	821	356-803	x	x	x	Set Screw	
104, 24173, 263672 200048, 249288	822	350-803	x	x	x	Rock Shaft Stop Stud Set Screw	
	823	228845	x	x	x	Rock Shaft Stop Bracket Spring	
	824	39811	x	x	x	Rock Shaft Lifting Bracket Extension with	39576
	825	39576	x	x	x	Rock Shaft Lifting Chain Hook (lower)	
Two 263679	826	6337	x	x	x	Rock Shaft Lifting Bracket with	two 356
	827	356-803	x	x	x	Rock Shaft Lifting Bracket Set Screw (2)	
	828	2763	x	x	x	Rock Shaft	
	829	227676	x	x	x	Rock Shaft Lifting Chain, 18 in. long, with	202784
200386	830	202784	x	x	x	Rock Shaft Lifting Chain Hook (upper)	
						<u>Thread Unwinder</u>	
	840	228776	x	x	x	Thread Unwinder Cpl.	228766, 228767, 228768, 228770, 228774, two 150203, two 228764, two 228769, three wood screws 7/8 in. No. 12
Two 200958	841	228770	x	x	x	Thread Unwinder Thread Guide Holder	
	842	228769	x	x	x	Thread Unwinder Thread Guide (2)	
	843	228774	x	x	x	Thread Unwinder Thread Guide Rod	
	844	228766	x	x	x	Thread Unwinder Spool Rest with	201254
	845	201254-803	x	x	x	Thread Unwinder Spool Rest Set Screw	
	846	228764	x	x	x	Thread Unwinder Spool Pin (2)	
	847	150203	x	x	x	Thread Unwinder Spool Rest Cushion (felt)(2)	
	848	228767	x	x	x	Thread Unwinder Spool Rest Rod	
	849	-----	x	x	x	Thread Unwinder Wood Screw 7/8 in. No. 12 (3)	
	850	228768	x	x	x	Thread Unwinder Spool Stand	
						<u>Universal Bobbin Winder</u>	
	860	259462	x	x	x	Universal Bobbin winder Cpl.	200056, 200082, 200113, 200299, 202478, 225381, 225444, 225453, 225454, 225455, 225456, 225458, 225462, 228026, 259428, 259429, 259662, 259930, two 225459, two wood screws 13710, 201572, 225461, two 2102
	861	225462	x	x	x	Bobbin Winder Tension Bracket Cpl.	
	862	201572-8.9	x	x	x	Bobbin Winder Tension Stud Thumb Nut	
	863	13710	x	x	x	Bobbin Winder Tension Spring	
	864	2102	x	x	x	Bobbin Winder Tension Disc (2)	
	865	201499-819	x	x	x	Bobbin Winder Tension Stud	
	866	225461	x	x	x	Bobbin Winder Tension Bracket with	201499
	867	200082-804	x	x	x	Bobbin Winder Tension Bracket Screw	
	868	228026	x	x	x	Bobbin Winder Tension Bracket Screw Washer	
	869	259662	x	x	x	Bobbin Winder and Tension Bracket Base	
	870	-----	x	x	x	Bobbin Winder Wood Screw (3/4 in. No. 12 R.H.B.)(2)	
	871	225456	x	x	x	Bobbin Winder Frame Spring Plunger	
	872	225455	x	x	x	Bobbin Winder Frame Spring	
	873	259930	x	x	x	Bobbin Winder Pulley with	457
	874	457-830	x	x	x	Bobbin Winder Pulley Set Screw	
	875	244071	x	x	x	Bobbin Winder Frame Oil Packing (wick)	
	876	259660	x	x	x	Bobbin Winder Frame Oil Well Washer	
	877	225453	x	x	x	Bobbin Winder Frame with	244071, 259660
	878	225381	x	x	x	Bobbin Winder Spindle	
	879	225454	x	x	x	Bobbin Winder Frame Hinge Pin	
	880	200299-8.9	x	x	x	Bobbin Winder Stop Latch Trip Lever Hinge Screw	
	881	202478	x	x	x	Bobbin Winder Stop Latch Trip Lever	
	882	200056-805	x	x	x	Bobbin Winder Stop Latch Screw	
	883	225444	x	x	x	Bobbin Winder Stop Latch	
	884	225458	x	x	x	Bobbin Winder Stop Latch Thumb Screw	
	885	200113-806	x	x	x	Bobbin Winder Brake Clamp Screw	
	886	259429	x	x	x	Bobbin Winder Brake Clamp	
	887	259428	x	x	x	Bobbin Winder Brake (leather)	
	888	225459	x	x	x	Bobbin Winder Stop Latch Thumb Lever Hinge Stud (2)	
	890	248929			x	Knife (3)	
	891	263735		x		Knife (2)	
	892	238508		x		Knife (2)	
	893	200570-805	x	x	x	Bed Hinge Connection Screw (4)	
	894	202258	x	x	x	Bed Hinge Connection (2)	
	895	120342	x	x	x	Oiler (copper plated) with	120343
	896	120343	x	x	x	Oiler Spout (31/2 in. long)	
	897	225554	x	x	x	Wrench	
	898	4822	x	x	x	Roller Presser Hinge Screw Nut Wrench	
	899	225498	x	x	x	Screw Driver	
	900	144465	x	x	x	Wrench (1/8 in. Hex.)	
	901	233939	x	x	x	Bobbin (2)	
	902	228476	x	x	x	Screw Driver (bobbin case)	
	903	41401	x	x	x	Machine Rest Pin (wood)	
	904	263577	x	x	x	Pulley Spreader Cone Adjusting Key	
228882, 228883, four wood screws 1/2 in. No. 4 R.H.B.	---	1740-141	x	x	x	Needle (5)	
2763, 6337, 39811, 150668, 227676, 228364, 228388, 228685, 228843, 228844, 228845 three 1 in. No. P.H.B.							

From the library of: Diamond Needle Corp

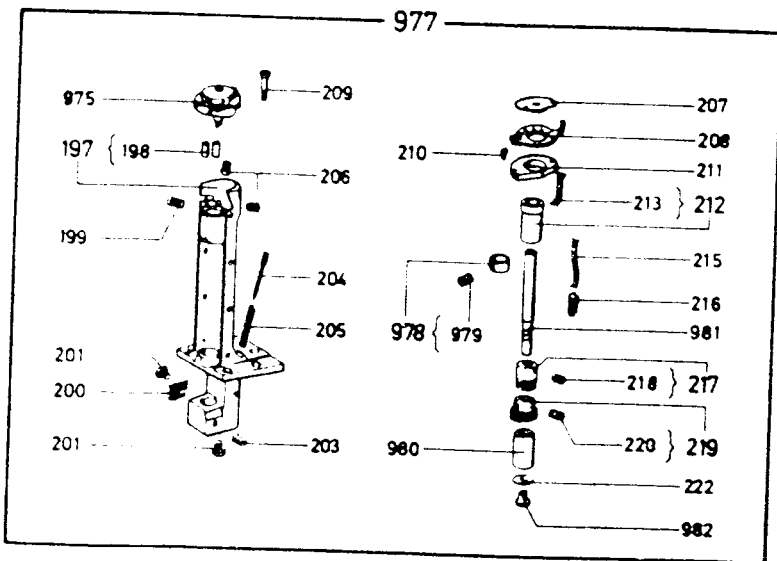
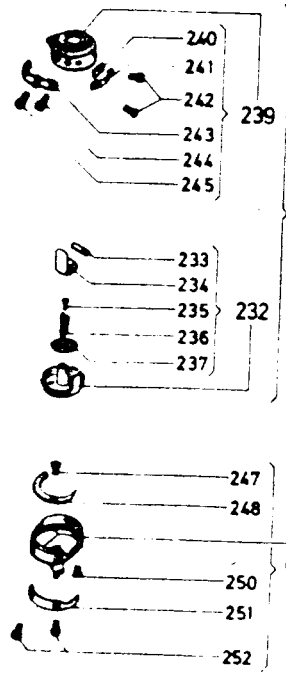
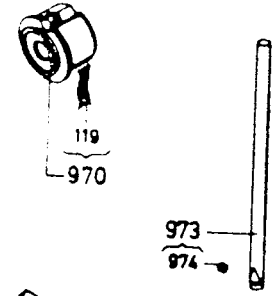
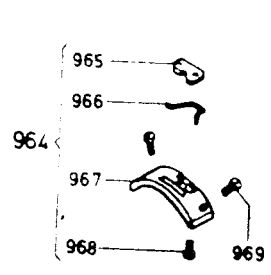
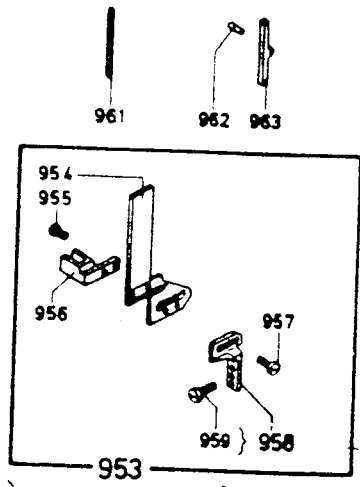
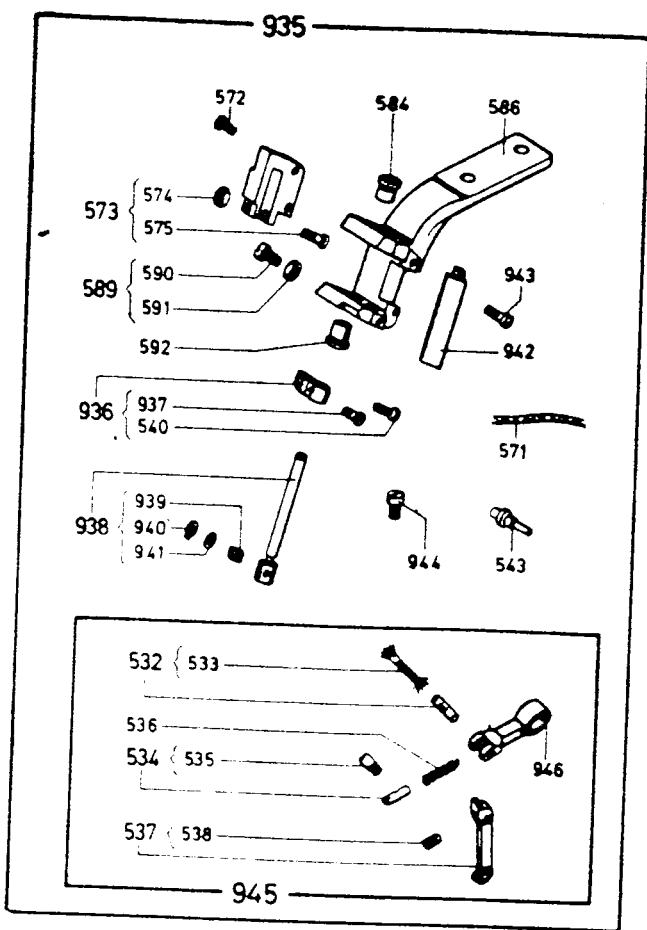
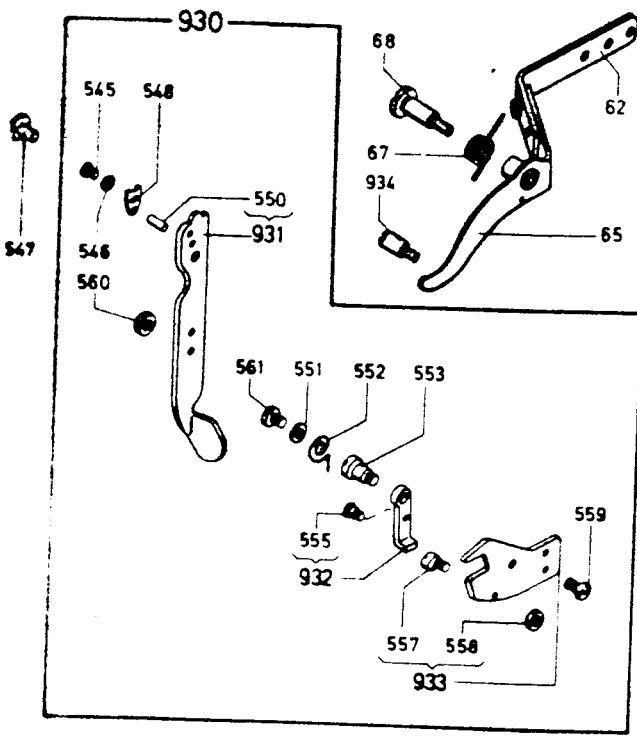
Components	Illustr. Ref. No.	Part No.	For Class			Name	Components
			120	125	131		
	244	200594-805	x	x	x	Hobbin Case Tension Spring Screw	
	245	200984-803	x	x	x	Hobbin Case Tension Spring Regulating Screw	
	246	263463	x	x	x	Hook Cpl.	201253, two 201241604, 263462,
	247	201253-806	x	x	x	Hook Gib Screw	
	248	241604	x	x	x	Hook Gib	
	249	263462	x	x	x	Hook (sewing)	
	250	201378-803	x	x	x	Hook Gib Hinge Screw	
	251	263563	x	x	x	Hook Needle Guard	
	252	201409-806	x	x	x	Hook Needle Guard Screw (2)	
	253	233439	x	x	x	Bobbin	
	254	263403	x	x	x	Arm Cover (front)	
	255	200576-819	x	x	x	Arm Cover (front) Screw (2)	
	256	204235	x	x	x	Arm Base Position and Arm Position Pin (4)	
	257	202005	x	x	x	Arm Base Screw and Arm Screw Washer (6)	
	258	200004-805	x	x	x	Arm Base and Arm Screw (6)	
	259	263801	x	x	x	Feed Post Base Cover	
	260	263804	x	x	x	Feed and Hook Post Base Cover Support (back)	
	261	50559-819	x	x	x	Feed and Hook Post Base Cover Support Screw (2)	
	262	263803	x	x	x	Feed and Hook Post Base Cover Support (front)	
	263	200181-819	x	x	x	Feed and Hook Post Base Cover Screw (2)	
	264	263802	x	x	x	Hook Post Base Cover	
	265	263812	x	x	x	Feed and Hook Post Gasket (bottom)	
	266	263830	x	x	x	Feed and Hook Post Cover (back)	
	267	263832	x	x	x	Feed and Hook Post Cover Gasket (back or front) (2)	
	268	263845	x	x	x	Feed and Hook Post Cover (front)	
	269	51023-802	x	x	x	Feed and Hook Post Cover (back or front) Screw (8)	
	270	141672-806	x	x	x	Feed and Hook Post Cover (back or front) Clamp Screw (6)	
	271	263415	x	x	x	Bed Cover (bottom) Gasket	
	272	263414	x	x	x	Bed Cover (bottom) Cpl.	263459, 267093,
	273	263459	x	x	x	Feed Wheel Bevel Gear Driving Pinion Shaft (lower) Needle Bearing Oil Seal	
	274	350777-819	x	x	x	Bed Cover (bottom) Screw Oil Plug	
	275	267093	x	x	x	Feed Wheel Bevel Gear Driving Pinion Shaft (lower) Needle Bearing	
	276	200040-805	x	x	x	Bed Cover (bottom) Screw (10)	
	277	272154	x	x	x	Bed Cover (bottom) Screw Washer (fibre)(2)	
	278	263425	x	x	x	Feed Clutch Cpl.	Six 68152, Six Six 131718, 144263458, 263578, 263591
	279	263458	x	x	x	Feed Wheel Bevel Gear Driving Pinion Shaft (lower)	
	280	263591	x	x	x	Feed Clutch Thrust Washer	
	281	144261	x	x	x	Feed Clutch (drive) Washer	
	282	263579	x	x	x	Feed Clutch Sleeve	
	283	140409-830	x	x	x	Feed Clutch Sleeve Set Screw (2)	
	284	263578	x	x	x	Feed Clutch (brake) 144262 with	Three 263574
	285	263574	x	x	x	Feed Clutch Wear Plate (6)	
	286	263423	x	x	x	Feed Clutch (drive) 263422 with	Three 263574
	287	131718	x	x	x	Feed Clutch Roller Spring (6)	
	288	68152	x	x	x	Feed Clutch Roller Plunger (6)	
	289	131717	x	x	x	Feed Clutch Roller (6)	
	290	200911-819	x	x	x	Feed Clutch (brake) Supporting Plate Screw (3)	
	291	1255-803	x	x	x	Feed Clutch (brake) Screw (3)	
	292	263424	x	x	x	Feed Clutch (brake) Supporting Plate	
	293	263467	x	x	x	Hook and Feed Driving Shaft Bushing (front) with 272115	
	294	272115	x	x	x	Hook and Feed Driving Shaft Bushing (front) Oil Packing (wick)	
	295	200958-803	x	x	x	Hook and Feed Driving Shaft Bushing (front) Set Screw	
	296	263437	x	x	x	Feed Driving Flange Cpl.	200333, 200346, Two 350477, two
	297	350548-803	x	x	x	Feed Driving Eccentric Friction Plate Adjusting Screw (2)	
	298	263567	x	x	x	Feed Driving Eccentric Friction Plate	
	299	200333-803	x	x	x	Feed Driving Flange Position Screw	
	300	200346-803	x	x	x	Feed Driving Flange Set Screw	
	301	350477-803	x	x	x	Feed Driving Eccentric Friction Plate Adjusting Screw Set Screw (2)	
	302	263429	x	x	x	Feed Driving Eccentric Cpl.	215057
	303	215057	x	x	x	Feed Driving Eccentric Adjusting Eccentric Pin	
	304	263430	x	x	x	Feed Driving Eccentric Adjusting Eccentric	
	305	263435	x	x	x	Feed Driving Eccentric Adjusting Eccentric Spring	
	306	263436	x	x	x	Feed Driving Eccentric Adjusting Eccentric Spring Adjusting Collar Cpl.	Two 200394
	307	200394-803	x	x	x	Feed Driving Eccentric Adjusting Eccentric Spring Adjusting Collar Set Screw (2)	
	308	263472	x	x	x	Hook Driving Gear (spiral) Sleeve Cpl.	200378, 201220
	309	201220-833	x	x	x	Hook Driving Gear (spiral) Sleeve Position Screw	
	310	200378-803	x	x	x	Hook Driving Gear (spiral) Sleeve Position Screw	
	311	263470	x	x	x	Hook Driving Gear (spiral) Cpl.	Two 797
	312	797-803	x	x	x	Hook Driving Gear (spiral) Set Screw (2)	
	313	263471	x	x	x	Hook Driving Gear (spiral) Retaining Ring	
	314	276045	x	x	x	Hook and Feed Driving Shaft Bushing (back) with 276046	
	315	276046	x	x	x	Hook and Feed Driving Shaft Bushing (back) Oil Packing (wick)	
	316	200958-803	x	x	x	Hook and Feed Driving Shaft Bushing (back) Set Screw	
	317	263537	x	x	x	Stitch Length Indicator Cpl.	200347
	318	200347-830	x	x	x	Stitch Length Indicator Set Screw	
	319	263469	x	x	x	Hook and Feed Driving Shaft Thrust and Timing Collar Cpl.	200378
	320	200378-803	x	x	x	Hook and Feed Driving Shaft Thrust and Timing Collar Set Screw	
	321	201007-803	x	x	x	Hook and Feed Driving Shaft Connection Belt Pulley Needle Bearing Sleeve Set Screw	
	322	263569	x	x	x	Hook and Feed Driving Shaft Connection Belt Pulley Needle Bearing Sleeve	
	323	263465	x	x	x	Hook and Feed Driving Shaft	

From the library of: Diamond Needle Corp

Components	Illustr. Ref. No.	Part No.	For Class				Name	Components		
			124	130	132	131				
crew	201253, two 201409, 201370, 241604, 263462, 263563	324	263468	x	x	x	x	x	Hook and Feed Driving Shaft Connection Belt Pulley Cpl.	201254, 201421, 214206, 228842
		325	228842	x	x	x	x	x	Hook and Feed Driving Shaft Connection Belt Pulley Needle Bearing	
		326	214206	x	x	x	x	x	Hook and Feed Driving Shaft Connection Belt Pulley Spring Flange	
		327	201254-803	x	x	x	x	x	Hook and Feed Driving Shaft Connection Belt Pulley Position Screw	
		328	201421-803	x	x	x	x	x	Hook and Feed Driving Shaft Connection Belt Pulley Set Screw	
		329	263428	x	x	x	x	x	Feed Driving Crank Cpl.	350175
		330	350175-805	x	x	x	x	x	Feed Driving Crank Pinch Screw	
		331	201616-805	x	x	x	x	x	Feed Driving Crank Ball Screw Nut	
		332	231836	x	x	x	x	x	Feed Driving Crank Thrust Washer	
		333	263426	x	x	x	x	x	Feed Driving Connection Cpl.	Four 200274
(4)		334	200274-805	x	x	x	x	x	Feed Driving Connection Cap Screw (4)	
		335	140300-803	x	x	x	x	x	Feed Driving Crank Ball Screw	
		336	263427	x	x	x	x	x	Feed Driving Connection Tension Spring	
		337	263431	x	x	x	x	x	Feed Driving Eccentric Adjusting Eccentric Latch Cpl.	200351
		338	200351-803	x	x	x	x	x	Feed Driving Eccentric Adjusting Eccentric Latch Set Screw	
		339	200605-803	x	x	x	x	x	Feed Driving Eccentric Adjusting Eccentric Latch Hinge Pin Position Screw	
		340	263432	x	x	x	x	x	Feed Driving Eccentric Adjusting Eccentric Latch Hinge Pin	
		341	263433	x	x	x	x	x	Feed Driving Eccentric Adjusting Eccentric Latch Operating Lever Cpl.	200394
		342	200394-803	x	x	x	x	x	Feed Driving Eccentric Adjusting Eccentric Latch Operating Lever Set Screw	
		343	263434	x	x	x	x	x	Feed Driving Eccentric Adjusting Eccentric Latch Operating Lever Spring	
shaft	263459, 267093, 350777	344	263508	x	x	x	x	x	Roller Presser Driving Belt (lower) Driving Belt Pulley Cpl.	Two 200958
		345	200958-803	x	x	x	x	x	Roller Presser Driving Belt (lower) Driving Belt Pulley Set Screw (2)	
		346	263506	x	x	x	x	x	Roller Presser Driving Belt (lower)	
		347	263507	x	x	x	x	x	Roller Presser Driving Belt (lower) Driven Pulley Cpl.	Two 200403
		348	200403-803	x	x	x	x	x	Roller Presser Driving Belt (lower) Driven Pulley Set Screw (2)	
		349	263514	x	x	x	x	x	Roller Presser Driving Belt (lower) Idler Pulley and Arm Cpl.	200948, 263510, 263511
		350	263512	x	x	x	x	x	Roller Presser Driving Belt (lower) Idler Pulley Arm Spring	
		351	263511	x	x	x	x	x	Roller Presser Driving Belt (lower) Idler Pulley Arm	
		352	263510	x	x	x	x	x	Roller Presser Driving Belt (lower) Idler Pulley Cpl.	263509, 263513
		353	263509	x	x	x	x	x	Roller Presser Driving Belt (lower) Idler Pulley	
shaft (lower)	Six 68152, Six 131717, Six 131718, 144261, 263423, 263458, 263578, 263579, 263591	354	263513	x	x	x	x	x	Roller Presser Driving Belt (lower) Idler Pulley Needle Bearing	
		355	200948-803	x	x	x	x	x	Roller Presser Driving Belt (lower) Idler Pulley Hinge Screw	
		356	660-803	x	x	x	x	x	Roller Presser Driving Belt (lower) Idler Pulley Arm Hinge Screw	
		357	263417	x	x	x	x	x	Bed Leg (3)	
		401	263783	x					Arm Top Cover	
		402	263590	x					Arm Top Cover Oil Tube Cpl. (2)	Two 170168
		403	170168	x					Arm Top Cover Oil Tube Metering Insert (2)	
		404	263784	x					Knife Driving Mechanism Guard	
		405	263781	x					Knife Driving Shaft Driving Gear Lubrication Reservoir Cover	
		215057	406	200084-850	x					Knife Driving Shaft Driving Gear Lubrication Reservoir Cover Screw (2)
crew (3)		407	263782	x					Arm Shaft Bushing (front) with	203100
		408	263779	x					Knife Driving Shaft Driving Gear Cpl.	Two 200382
		409	200382-833	x					Knife Driving Shaft Driving Gear Set Screw (2)	
		410	263407	x					Arm Shaft Bushing (center) with	203100
		411	203100	x					Arm Shaft Bushing (center) Oil Packing (wick)	
		412	200013-819	x					Arm Shaft Bushing (center) Set Screw	
		413	200365-803	x	x				Knife Driving Eccentric Position Screw	
		414	201052-833	x	x	x			Knife Driving Eccentric Set Screw	
		415	263745	x		x	x		Knife Driving Connection Cpl.	Two 160, 263744, 263746, 263747, 263748, 263749, 350633, 200365, 201052
		crew (2)	200378, 201220	416	263749	x				
417	263747			x					Knife Driving Connection Bearing (upper)(large)	
418	200160-819			x					Knife Driving Connection Guide Plate Screw (2)	
419	263748			x					Knife Driving Connection Guide Plate	
420	263744			x					Knife Driving Connection	
421	263746			x					Knife Driving Connection Bearing (lower) (small)	
422	350633-803			x					Knife Driving Connection Hinge Screw	
423	51699-819			x					Knife Driving Connection Hinge Screw Nut	Two 141584, 263851, 263856
424	263857			x		x	x		Throat Plate Cpl.	
425	263856			x		x	x		Throat Plate Needle Plate	
crew (2)	200347	426	263851	x	x				Throat Plate Body	
		427	141584-819	x	x				Throat Plate Needle Plate Screw (2)	
		429	263752	x					Thread Lubricator and Edge Guide Bracket	
		430	200093-819	x					Mounting Plate	
		431	263734	x					Edge Guide Bracket Screw (2)	
		432	200166-819	x					Edge Guide Rod Spring Plate	
		433	263728	x					Edge Guide Rod Spring Plate Screw	
		434	201735-805	x					Edge Guide Rod Plunger Nut	
		435	263729	x					Edge Guide Position Plate	
		436	200166-819	x					Edge Guide Position Plate Screw (2)	

From the library of: Diamond Needle Corp

PARTS FOR MACHINE NO. 236 G 122
 Same as Machine No. 236 G 130 with the following exceptions:
 For Parts not illustrated refer to Machine No. 236 G 120 and 236 G 130



PARTS FOR MACHINE 236 G122

ILL. REF. NO.	PART NO.	NAME			
930	508371	KNIFE CONTROL LEVER CPL. 217, 48058, 201478, 263618, 350109, 508372, 508373, 508374, TWO EACH 200064, 201706, 206482			
931	508374	KNIFE CONTROL LEVER CPL. 212248			
932	508372	KNIFE CONTROL LEVER LATCH CPL. 200316	800	228884	DRIP PAN (PLASTIC) CPL. 228882, 228883, FOUR
933	508373	KNIFE CONTROL LEVER PLATE CPL. 201537, 350615	810	228846	WOOD SCREW 1/2 INCH NO. 4 B.H.B.
934	900326	LIFTING LEVER STOP SCREW			KNEE LIFTER ROCK SHAFT CPL. 2763, 6337, 39811, 150668, 227676, 228344, 228388, 228685, 228843, 228844, 228845
935	508342	KNIFE GUIDE BRACKET CPL. 200077, 200888, 204411, 248894, 248896, 263611, 263612, 267263, 508361, 508363, 508364, 508365, TWO EACH 200028, 201341	860	259462	UNIVERSAL BOBBIN WINDER CPL. 200056, 200082, 200113, 200299, 202478, 225381, 225444, 225453, 225454, 225455, 225456, 225458, 225462, 228026, 259428, 259429, 259462, 259930, TWO EACH 259459
936	508344	KNIFE GUIDE BAR BLOCK CPL. 200069, 200089			AND WOOD SCREWS
937	200069	KNIFE GUIDE BAR BLOCK HINGE SCREW	893	200570-805	BED HINGE CONNECTION SCREW (4)
938	508363	KNIFE DRIVING BAR CPL. 508349, 508376, 512019	894	202258	BED HINGE CONNECTION (2)
939	508369	KNIFE DRIVING BAR SLIDE BLOCK	895	120342	OILER (COPPER PLATED) WITH 120343
940	512019	KNIFE DRIVING BAR SLIDE BLOCK WASHER RETAINING RING	896	004822	WRENCH
941	508376	KNIFE DRIVING BAR SLIDE BLOCK WASHER	899	225498	ROLLER PRESSER HINGE SCREW NUT WRENCH
942	508361	KNIFE DRIVING BAR COVER PLATE	900	144465	SCREW DRIVER
943	201341-830	KNIFE DRIVING BAR COVER PLATE SCREW (2)	901	233939	WRENCH (1/8 INCH HEXAGON)
944	200077-804	KNIFE BAR BUSHING SCREW	902	228476	BOBBIN (2)
945	508345	KNIFE DRIVING CONNECTION CPL. 222013, 263623, 263624, 263627, 508378	903	041400	SCREW DRIVER (BOBBIN CASE)
946	508378	KNIFE BAR CONNECTION ROD	904	263577	MACHINE REST PIN (WOOD)
947	508382	KNIFE BAR POSITION PLATE CPL. TWO EACH 910, 1735	906	241574	PULLEY SPREADER CONE ADJUSTING KEY
948	001735-819	KNIFE BAR POSITION PLATE NUT (2)	---	1740-14-1	KNIFE (3)
949	000910-833	KNIFE BAR POSITION PLATE SET SCREW (2)			NEEDLE (5)
950	201402-803	KNIFE BAR POSITION PLATE SCREW (2)			
951	508381	KNIFE BAR GUIDE			
952	200380-830	KNIFE BAR GUIDE SET SCREW (2)			
953	508380	KNIFE BAR CPL. 508377, 508384, 508388, TWO EACH 208, 500323			
954	508388	KNIFE BAR			
955	000208-830	KNIFE BAR GUIDE SET SCREW (2)			
956	508384	KNIFE BAR GUIDE			
957	500323-830	KNIFE BAR SCREW (2)			
958	508377	KNIFE BRACKET CPL. TWO 500322			
959	500322-830	KNIFE BRACKET SCREW (2)			
960	241574	KNIFE			
961	508368	KNIFE DRIVING BAR GUIDE RAIL			
962	512020	KNIFE DRIVING BAR GUIDE RAIL PIN			
963	508379	KNIFE DRIVING BAR GUIDE RAIL			
964	508392-445	THROAT PLATE, 55 ELONGATED NEEDLE HOLE, (MINIMUM TRIMMING MARGIN .045) CPL. 141583, 508385, 508386-445, 508391-445			
965	508386-445	THROAT PLATE KNIFE FOLLOWER (.045")			
966	508385	THROAT PLATE KNIFE FOLLOWER SPRING			
967	508391-445	THROAT PLATE BODY (.045")			
968	141583-830	THROAT PLATE KNIFE FOLLOWER SCREW			
969	500324-830	THROAT PLATE SCREW (2)			
970	263782	ARM SHAFT BUSHING (FRONT) WITH 203100			
971	508375	KNIFE DRIVING ECCENTRIC CPL. TWO 624			
972	000624-833	KNIFE DRIVING ECCENTRIC SET SCREW (2)			
973	508383	NEEDLE BAR WITH 735			
974	000735-803	NEEDLE SET SCREW			
975	508387	HOOK AND BOBBIN CASE CPL. 241677, 508389			
976	508389	HOOK CPL. 201253, 201376, 241604, 263563, TWO 201409			
977	508370	HOOK POST CPL. 202, 212, 51326, 141580, 203478, 234426, 263421, 263476, 263480, 263481, 263482, 263568, 263593, 263594, 263826, 263833, 263837, 263838, 263899, 263522, 350611, 508387, TWO EACH 1448, 141674			
978	263839	HOOK SHAFT (VERTICAL) THRUST COLLAR WITH TWO 458			
979	000458-830	HOOK SHAFT (VERTICAL) THRUST COLLAR SCREW (2)			
980	263838	HOOK SHAFT (VERTICAL) BEARING (LOWER)			
981	263837	HOOK SHAFT (VERTICAL)			
982	051326	HOOK SHAFT (VERTICAL) THRUST WASHER SCREW			

From the library of: Diamond Needle Corp